

# TS-1116HCN & TS-1116HCV Series

## Microminiature SMT Top Actuated Tactile Switch



### Description

TS-1116HC series is microminiature SMT top actuated tactile switch with different choices of actuation force and up to 200k lifecycles. The switch is ideal for applications that need a high density of components in limited PCB space, such as automotive keyfob, high-end consumer and health & medical devices.

### Features & Benefits

- 1.9 mm height, 3.5 x 3.0 mm size
- SMT termination
- Hard actuator
- 1.8N, 2.5N. actuation forces
- 100k to 200k cycles

### Applications

- Automotive Keyfob
- High-end Consumer
- Health & medical devices

### Specifications

<b>Function</b>	Momentary action
<b>Contact Arrangement</b>	1 make contact = SPST N.O.
<b>Terminals</b>	SMT termination
<b>Travel</b>	0.15 ± 0.1 mm

### Electrical Characteristics

<b>Max. Voltage</b>	12 VDC
<b>Max. Current DC</b>	20 mA
<b>Contact Resistance</b>	100 mΩ
<b>Insulation Resistance</b>	100 mΩ min.
<b>Dielectric Strength</b>	250 VA C (1 minute)
<b>Bounce Time</b>	≤ 10 ms

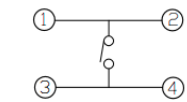
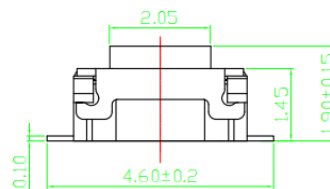
### Environmental Characteristics

<b>Operating Temperature</b>	-40°C to 85°C
------------------------------	---------------

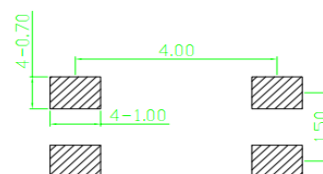
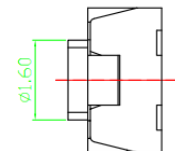
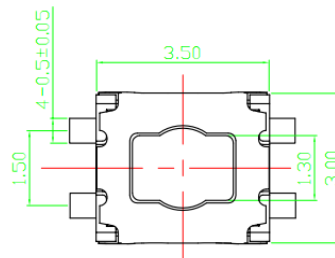
### Process

<b>Soldering</b>	This component is suited to the following methods: Infrared Reflow
	3,000 pieces per reel

### TS-1116HCN



Circuit Diagram



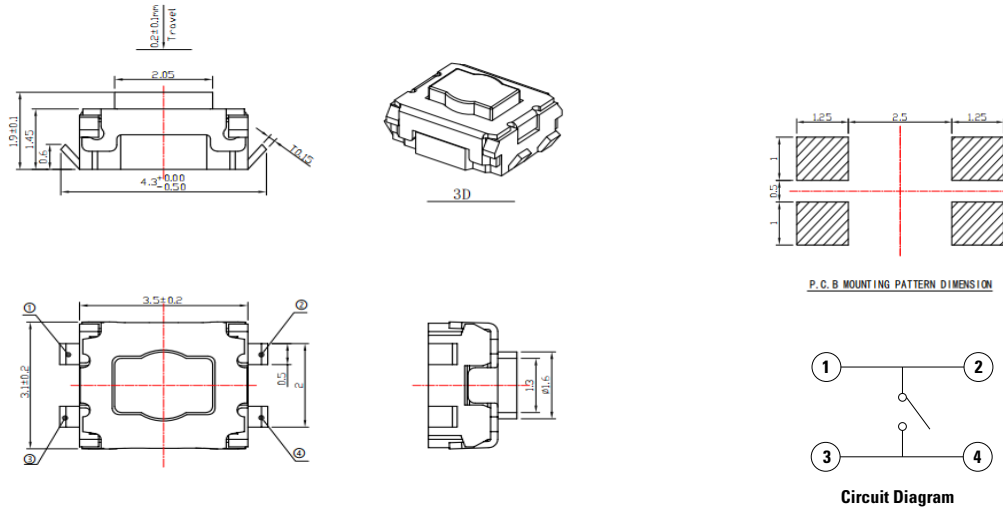
PCB LAND PATTERN

# TS-1116HCN & TS-1116HCV Series

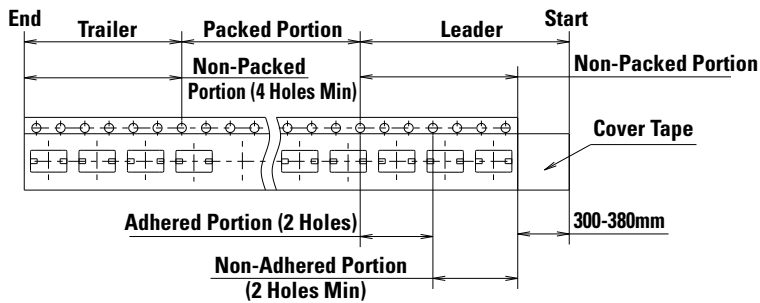
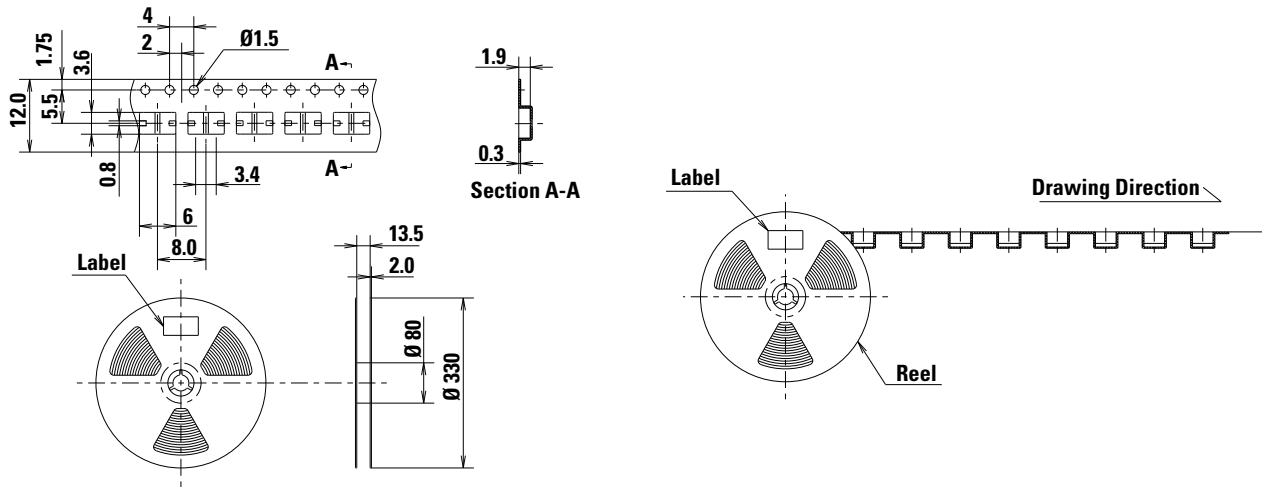
## Microminiature SMT Top Actuated Tactile Switch

### TS-1116HCV

Standard Version without Ground Pin



### Tape & Reel



- Notes:**
1. 3,000 pieces switches per 1 reel
  2. General Tolerance: 0.3mm